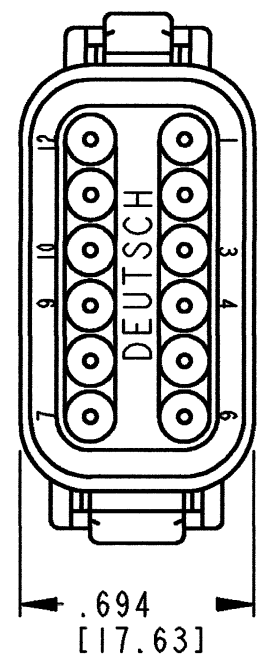
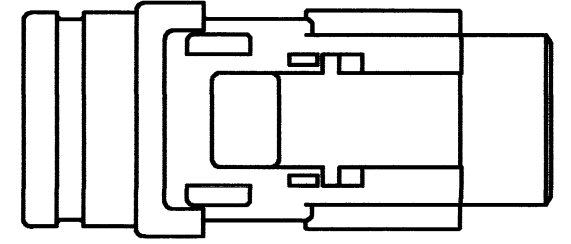
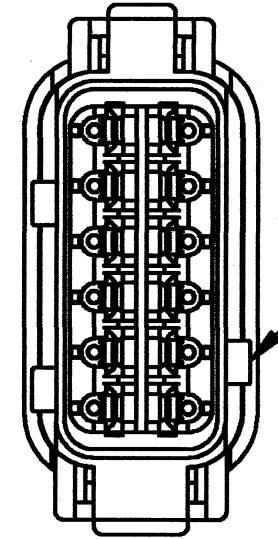
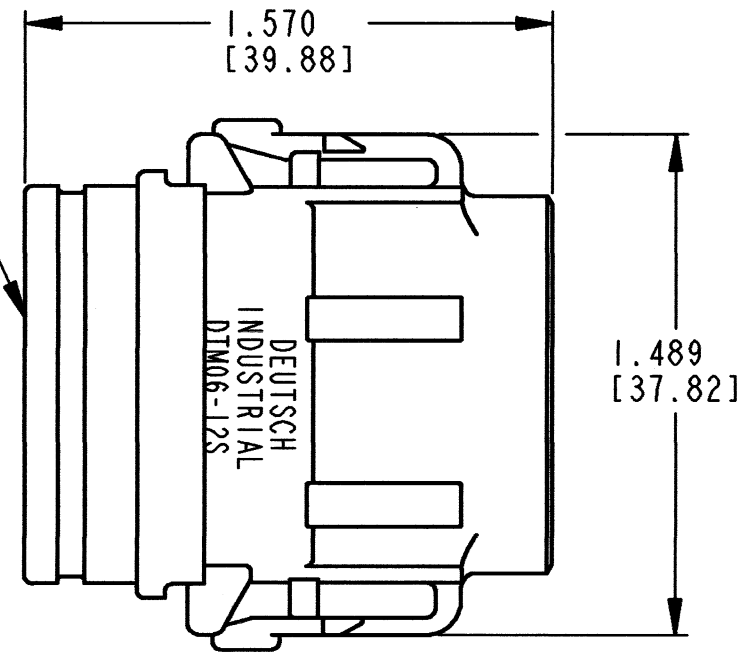


REV
A
DTM06-12S* -E007

REVISIONS			
SYM	DESCRIPTION	DATE	APPROVED
NC	NEW RELEASE PER E.O. P17176	3/16/01	R.D.R.
A	REVISED PER E.O. P20575	9-24-10	ADR



8
EXTENDED
CAP



- 8. PART MODIFICATION.
 - 7. SEE SHEET 2 FOR OTHER KEY ARRANGEMENT.
 - 6. MATERIAL - HOUSING/EXTENDED CAP: PLASTIC; GROMMET: RUBBER.
 - 5. THIS PLUG MATES WITH DTM04-12P*-**** RECEPTACLE.
(* = A,B,C,D KEYS; **** = ALL MODIFICATIONS)
 - 4. FOR CONTACT AND WIRE PERFORMANCE AND APPLICATION CHARACTERISTICS SEE ENVELOPE DRAWING 0425-015-0000.
 - 3. SECONDARY WEDGE LOCK SOLD SEPARATELY: WM-12S.
 - 2. DIMENSION TOLERANCE: ±.025 [.64].
 - 1. DIMENSIONS ARE IN INCHES [mm].
- NOTES: UNLESS OTHERWISE SPECIFIED

CONTACT SIZE	MIN. INSUL. O.D.	MAX. INSUL. O.D.	WIRE RANGE [mm ²] REF ONLY
20	.053 [1.35]	.120 [3.05]	16-20 AWG [1.0-0.5]

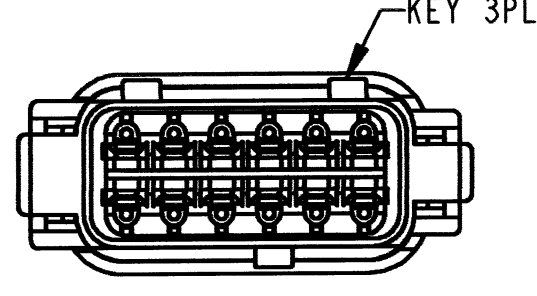
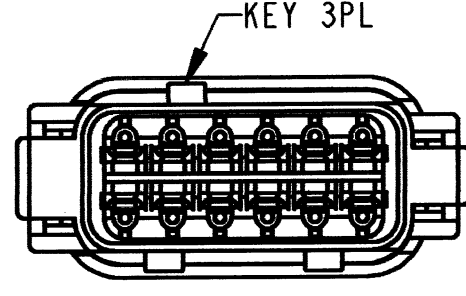
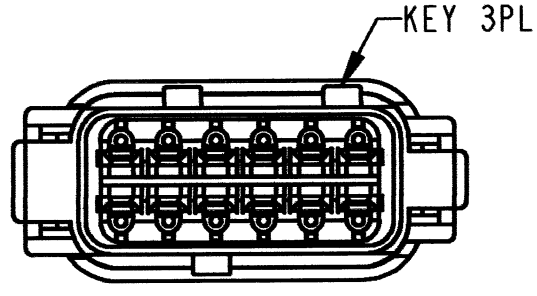
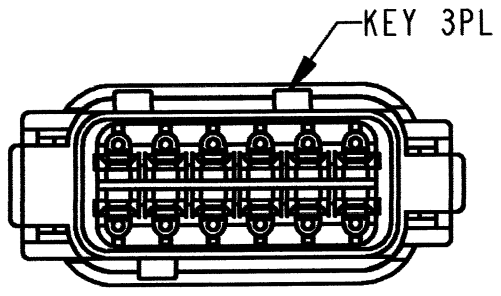
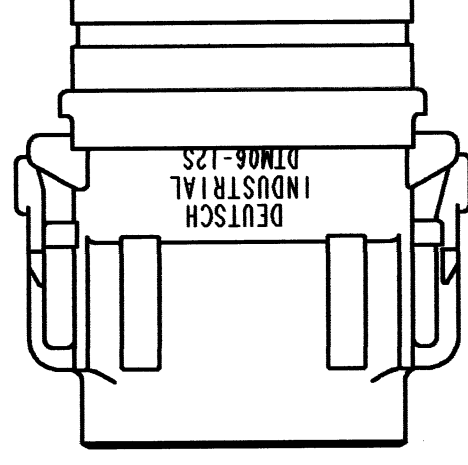
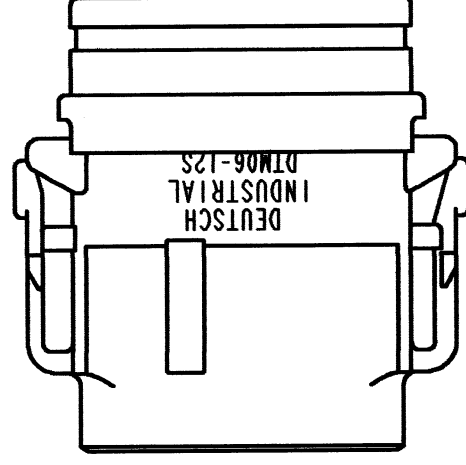
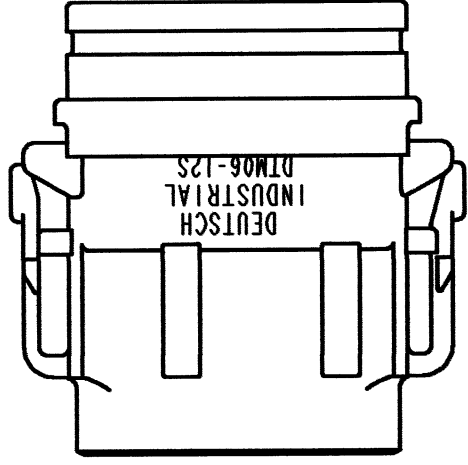
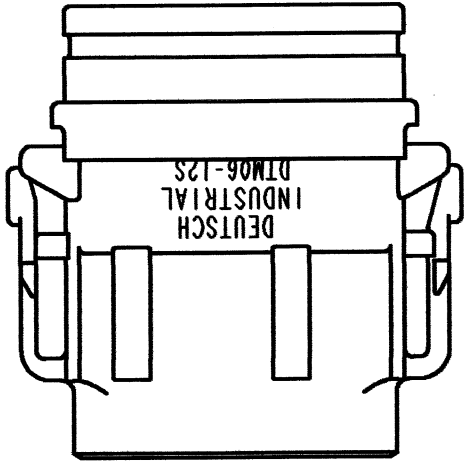
SIGNATURE & DATE	
DR	D. MEYER 03/09/01
CHK	B. Byford 9/20/2010
PE	R. Mulligan 8/3/10
APPD	S. Bevilacqua 8/5/10
SCALE	NONE WT _____

PLUG W/EXTENDED CAP
12 CONTACTS, SIZE 20
A,B,C,D KEYS
-E007 MOD
DTM SERIES

ENVELOPE

EP	MATL. CODE
3850 INDUSTRIAL AVE. HEMET, CA 92545 DEUTSCH INDUSTRIAL	
B DTM06-12S*-E007	
DWG SIZE	CODE 11139 SHEET 1 OF 2

REV A	DTM06-12S*-E007			REVISIONS	
	SYM	DESCRIPTION	DATE	APPROVED	
	A	SEE SHEET 1	9-24-10	RDR	



DTM06-12SA-E007
KEY -A-
COLOR: GREY

DTM06-12SB-E007
KEY -B-
COLOR: BLACK

DTM06-12SC-E007
KEY -C-
COLOR: GREEN

DTM06-12SD-E007
KEY -D-
COLOR: BROWN

NOTES:

SIGNATURE & DATE		PLUG W/EXTENDED CAP 12 CONTACTS, SIZE 20 A, B, C, D KEYS -E007 MOD DTM SERIES	EP	MATL. CODE
DR	D. MEYER 03/09/01		 3850 INDUSTRIAL AVE. HEMET, CA 92545	B DTM06-12S*-E007
CHK	<i>B. Johnson</i> 9/20/2010			
PE	<i>R. Milligan</i> 9/2/10		DWG SIZE	SHEET 2 OF 2
APPD	<i>S. Beaulieu</i> 9-2-10		11139	
SCALE	NONE	WT		

ENVELOPE